

# 1x2 Optical Switch 1x1 (On/Off) Switch

## LT200

The LT200 Series 1x2 and 1x1 (On/Off) optical switches are available with direct or TTL control. They feature our patented reflective optics technology that delivers excellent performance and reliability.

- Meets Telcordia 1073 performance and reliability standards
- Designed to meet Telcordia 1221 performance and reliability standards
- Low insertion loss of 0.5 dB, typical
- High repeatability and low crosstalk at <-70 dB
- High switching speed of 10 ms, typical
- Reduces fiber routing problems
- Patented reflective optics permit operation from 0-65 °C
- Operates under direct or TTL control
- Compact size - 12 x 20 x 62 mm

### Applications

- System redundancy
- Add/drop
- Route diversity
- Signal routing and monitoring
- Test access
- Component testing



Fiberoptic Solutions at the Speed of

**LIGHTech**<sup>™</sup>  
FIBEROPTICS, INC.

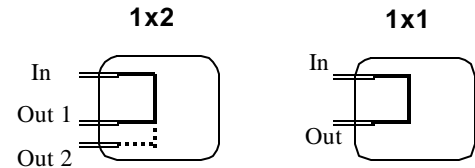
**Corporate Office:** 1981 Adams Avenue • San Leandro, CA 94577-1005 • Tel 510.567.8700 • Fax 510.567.8701  
**Customer Service:** Sales Support 510.567.8503 / 510.567.8308 • Fax 510.567.8506 • Toll Free 800.567.1688 • info@lightech.net

[www.lightech.net](http://www.lightech.net)

1981 Adams Avenue  
 San Leandro, CA 94577  
 510.567.8700  
 510.567.8701 [fax]

**Sales Support**  
**510.567.8503**  
**510.567.8505**  
**510.567.8506 [fax]**  
**800.567.1688 [Toll Free]**

## Configurations



## Performance Specifications

Specifications	LT200 Series 1x2 & 1x1	Units
Insertion Loss <sup>1,2</sup>	0.5 typ - 0.8 max	dB
Repeatability	< ± 0.02	dB
Switching Time <sup>3</sup>	10 typ - 15 max	ms
Operating Temperature	0 to 65	°C
Back Reflection	< -55	dB
Crosstalk	< -70	dB
Maximum Operating Current	60	mA
Nominal Operating Voltage <sup>4</sup>	5	V DC
PDL	< 0.1	dB
Durability	10 million min	cycle
Control <sup>5</sup>	Direct/Wire Harness	--
Housing Dimensions (HxWxL)	12 x 20 x 62	mm
Wavelength Window <sup>6</sup>	1280 ~1340, 1520~1580	nm

All specifications referenced without connectors

All specifications referenced with single-mode fiber

1. Insertion loss based on 1550 nm single wavelength

2. Add 0.2dB for 1310/1550 nm dual wavelength

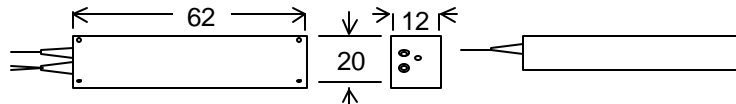
3. For non-latching, 25 ms max

4. Operating voltage range from 4.75 to 5.5 volts (at room temperature)

5. TTL control is available as an option

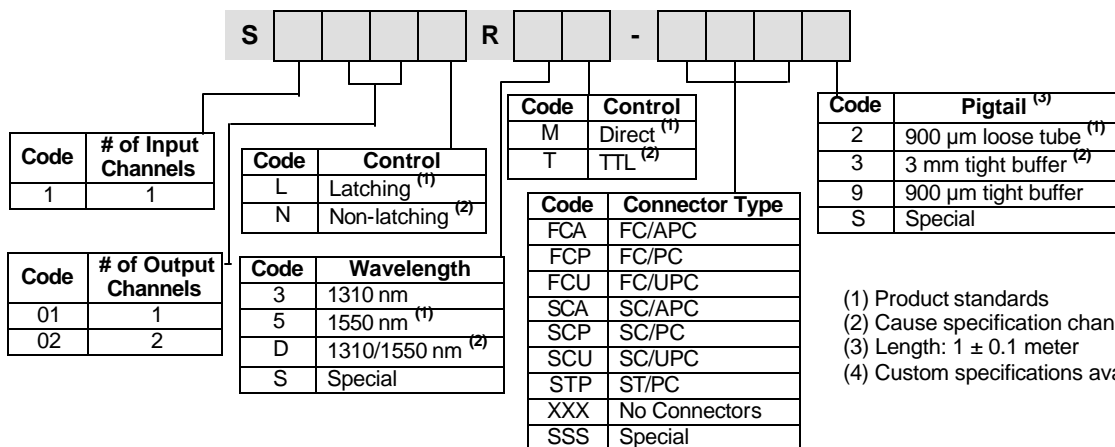
6. Optimized at 1310 or 1550 nm (other wavelengths available upon request)

## Housing Dimensions:



## Ordering Information: <sup>(4)</sup>

Example: S102LR5M-FCA2



- (1) Product standards
- (2) Cause specification change
- (3) Length: 1 ± 0.1 meter
- (4) Custom specifications available

The information set forth in this document reflects our best knowledge at the time of issue. The document is subject to changes pursuant to new developments and findings, and a similar reservation applies to the properties of the products described. We undertake no liability for results obtained by usage of our products and information.