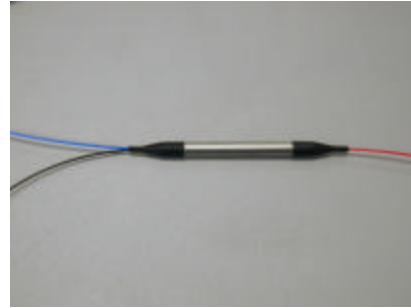


1981 Adams Avenue
 San Leandro, CA 94577
 510.567.8700
 510.567.8701 [Fax]

Sales Support
510.567.8503
510.567.8505
510.567.8506 [Fax]
800.567.1688 [Toll Free]



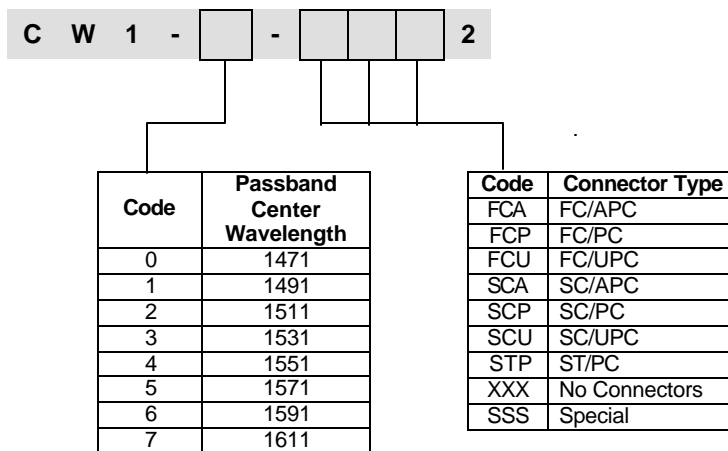
Performance Specifications

Specifications	LT30 Band Pass Filter Module	Units
Center Wavelength (λ_c)	1471,1491,1511,1531, 1551,1571, 1591, 1611	nm
Passband Bandwidth @ 0.5 dB	$\lambda_c \pm 6.5$ min.	nm
Passband Flatness	< 0.5	dB
Insertion Loss – Pass Band	< 1.0	dB
Insertion Loss – Reflection Band	< 0.8	dB
Isolation	> 25	dB
Back Reflection	< -50	dB
Polarization Dependent Loss	< 0.2	dB
Directivity	> 50	dB
Maximum Input Power	300	mW
Fiber Length	1.0 ± 0.1	m
Dimensions ($\phi \times L$) without boots	5 x 38	mm

All specifications referenced without connectors
 All specifications referenced with single-mode fiber

Ordering Information:

Example: CW1-4-FCU2



The information set forth in this document reflects our best knowledge at the time of issue. The document is subject to changes pursuant to new developments and findings, and a similar reservation applies to the properties of the products described. We undertake no liability for results obtained by usage of our products and information.