

Variable Optical Attenuator Module

LT450

The LT450 Variable Optical Attenuator (VOA) offers voltage control attenuation over a broad dynamic range. It provides precision resolution, high repeatability and extremely low insertion loss. Our patented beam director technology eliminates the need for filters or other devices in the optical path resulting in improved performance.

- Designed to meet Telcordia 1073 and 1221 reliability and performance standards
- Wide dynamic voltage control attenuation range from 0-20 dB
- Precision attenuation resolution at better than 0.1 dB per step
- Low insertion loss of 0.35 dB, typical
- Patented beam director eliminates the need for interference filters in optical path
- Compact size - 12 x 25 x 50 mm

Applications

- Power management
- Add/drop
- Amplifiers



Fiberoptic Solutions at the Speed of

LIGHTechTM
FIBEROPTICS, INC.

Corporate Office: 1981 Adams Avenue • San Leandro, CA 94577-1005 • Tel 510.567.8700 • Fax 510.567.8701

Customer Service: Sales Support 510.567.8503 / 510.567.8308 • Fax 510.567.8506 • Toll Free 800.567.1688 • info@lightech.net

www.lightech.net

1981 Adams Avenue
 San Leandro, CA 94577
 510.567.8700
 510.567.8701 [fax]

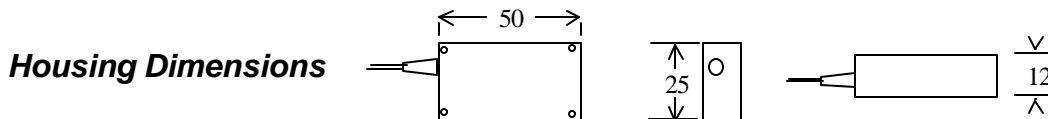
Sales Support
510.567.8503
510.567.8505
510.567.8506 [fax]
800.567.1688 [Toll Free]

Performance Specifications

Specifications	LT450 Series VOA Module	Units
Attenuation Range ¹	0 ~ 20	dB
Residual Attenuation (Min. Insertion Loss)	0.35 typ – 0.6 max	dB
Operating Temperature	0 to 65	°C
Back Reflection	< -55	dB
Max Optical Power	300	mW
Wavelength Dependent Loss ³	≤ 0.2	dB
PDL	< 0.1	dB
Tuning Time ⁴	100	ms
Resolution	< 0.1	dB
Housing Dimensions (HxWxL)	12 x 25 x 50	mm
Wavelength Range ²	1525 ~ 1565	nm

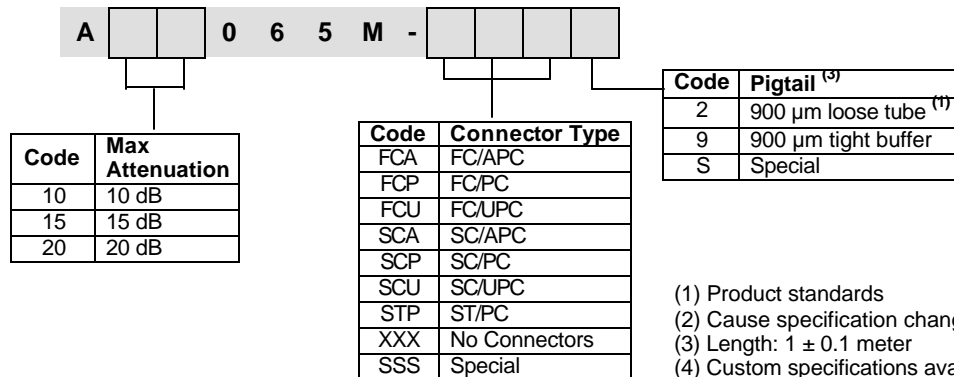
All specifications referenced without connectors and based on single wavelength (1550 nm)

1. Custom attenuation ranges available
2. Custom wavelength ranges available upon request
3. WDL at 15 dB of attenuation
4. From 0 to 3 dB



Ordering Information: ⁽⁴⁾

Example: A15065M-FCA2



- (1) Product standards
- (2) Cause specification change
- (3) Length: 1 ± 0.1 meter
- (4) Custom specifications available

The information set forth in this document reflects our best knowledge at the time of issue. The document is subject to changes pursuant to new developments and findings, and a similar reservation applies to the properties of the products described. We undertake no liability for results obtained by usage of our products and information.