



Opto-Patch Switch Chassis

*OOO Solution
for High Speed Transmissions*

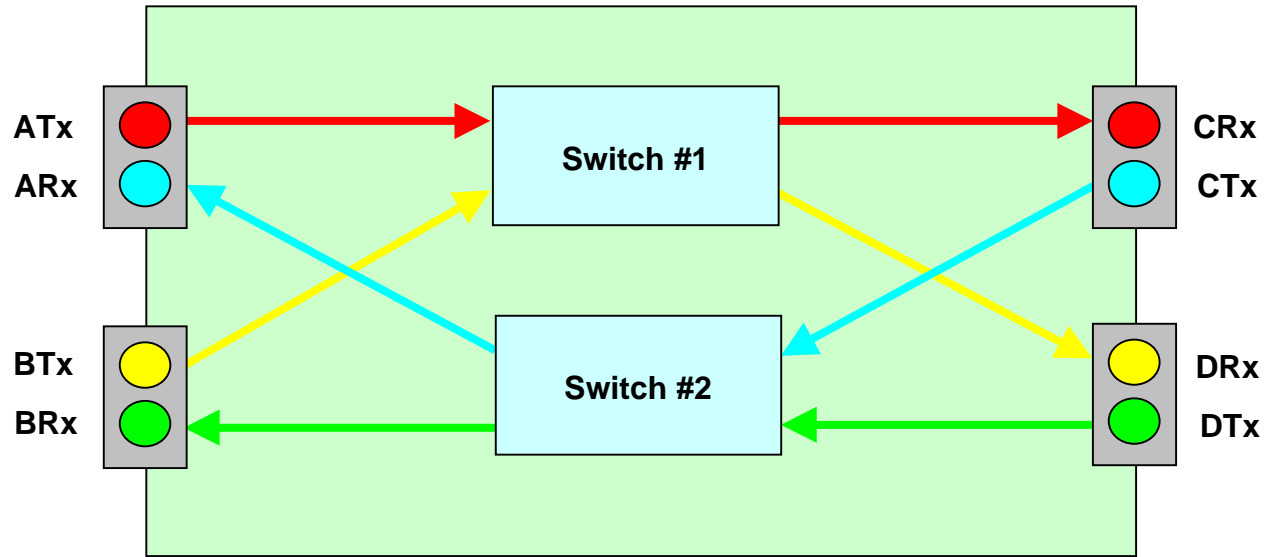
October 2002

LT1600 Opto-Patch 32x32 Switch



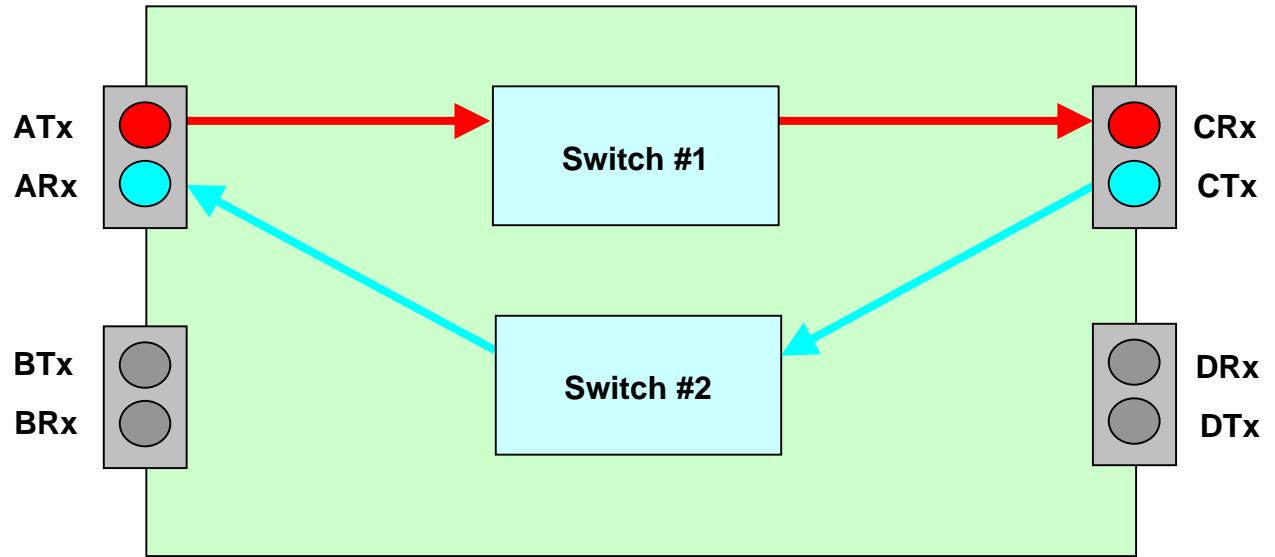
- Wavelength: 850nm or 1290 ~ 1625nm
- Control Interfaces: RS-232, GPIB, Keypad
- Control Software: LabVIEW or Visual Basic

LT1600 Opto-Patch Switch Chassis



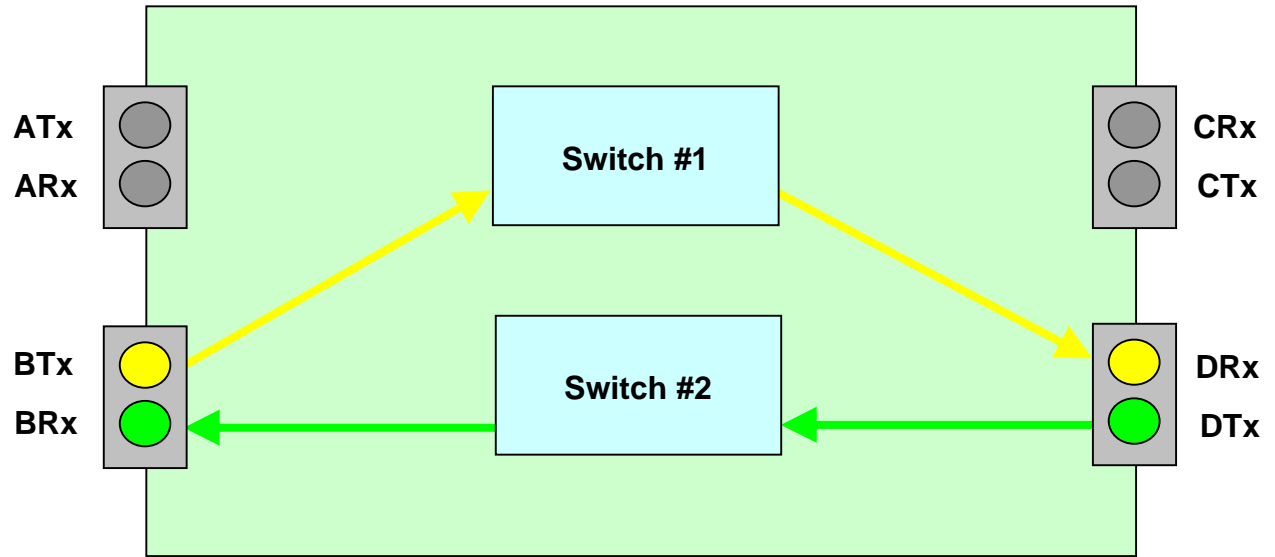
State 1: A to C and B to D

LT1600 Opto-Patch Switch Chassis



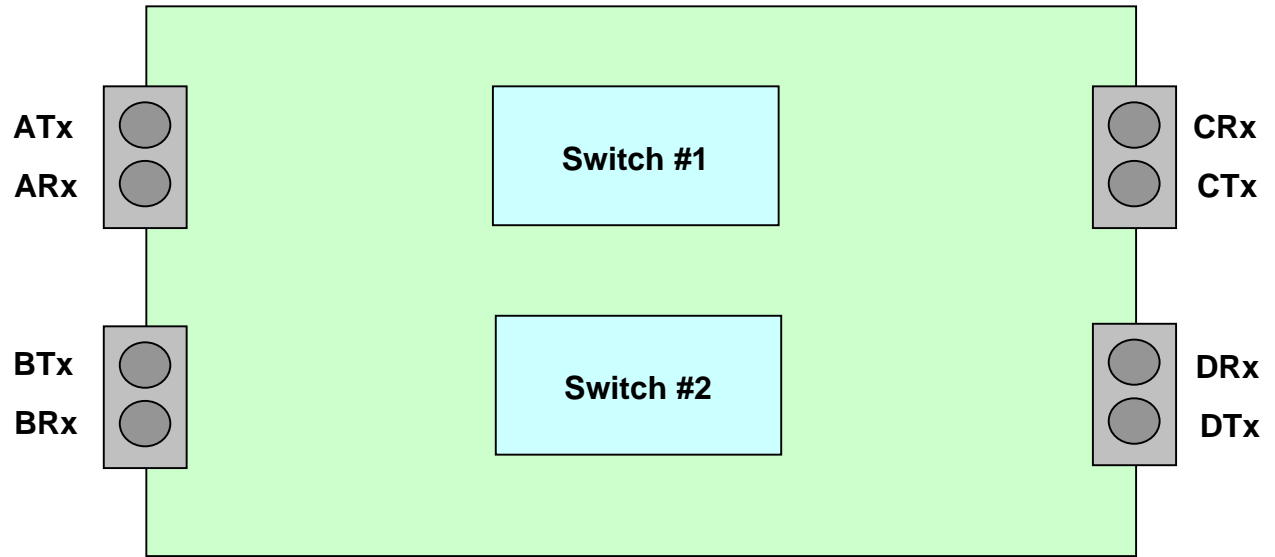
PULL Fibers: B and D

LT1600 Opto-Patch Switch Chassis



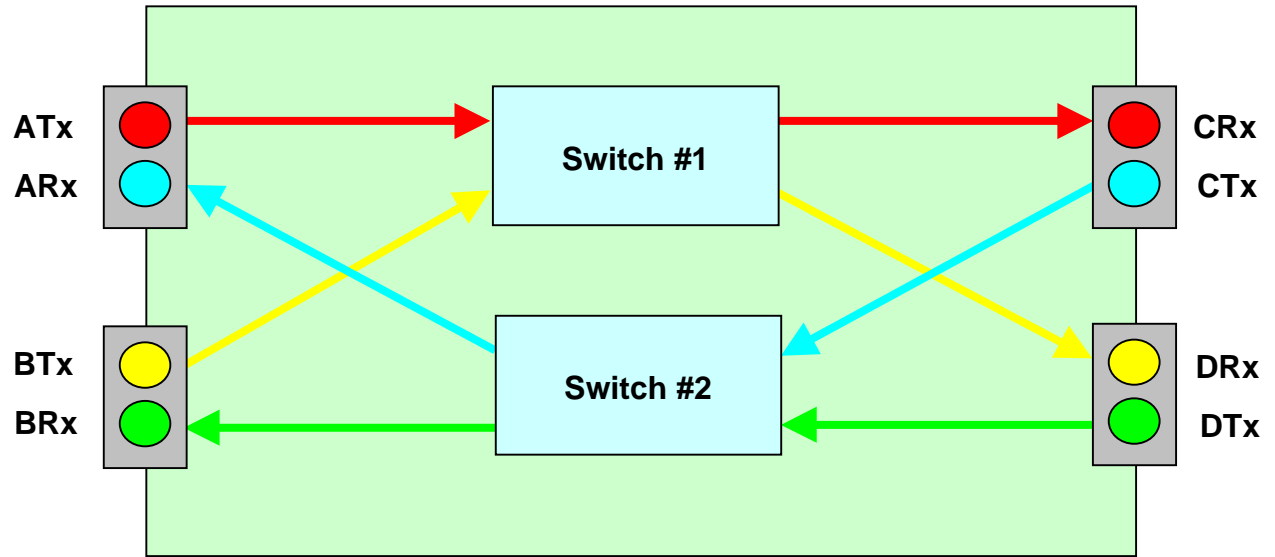
PULL Fibers: A and C

LT1600 Opto-Patch Switch Chassis



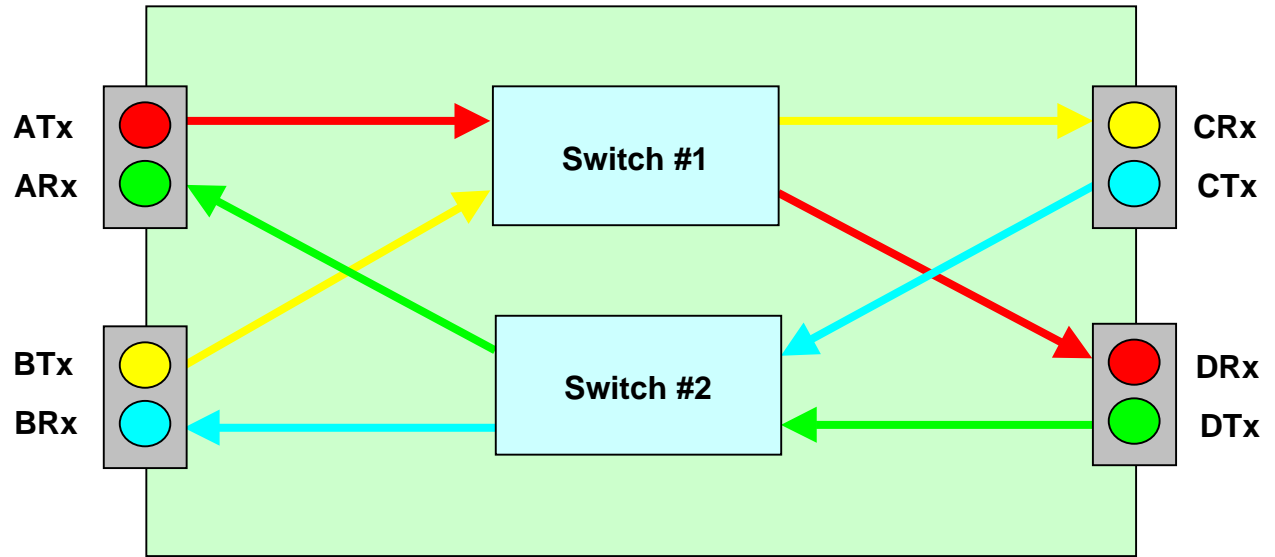
PULL Fibers: A, B, C and D

LT1600 Opto-Patch Switch Chassis



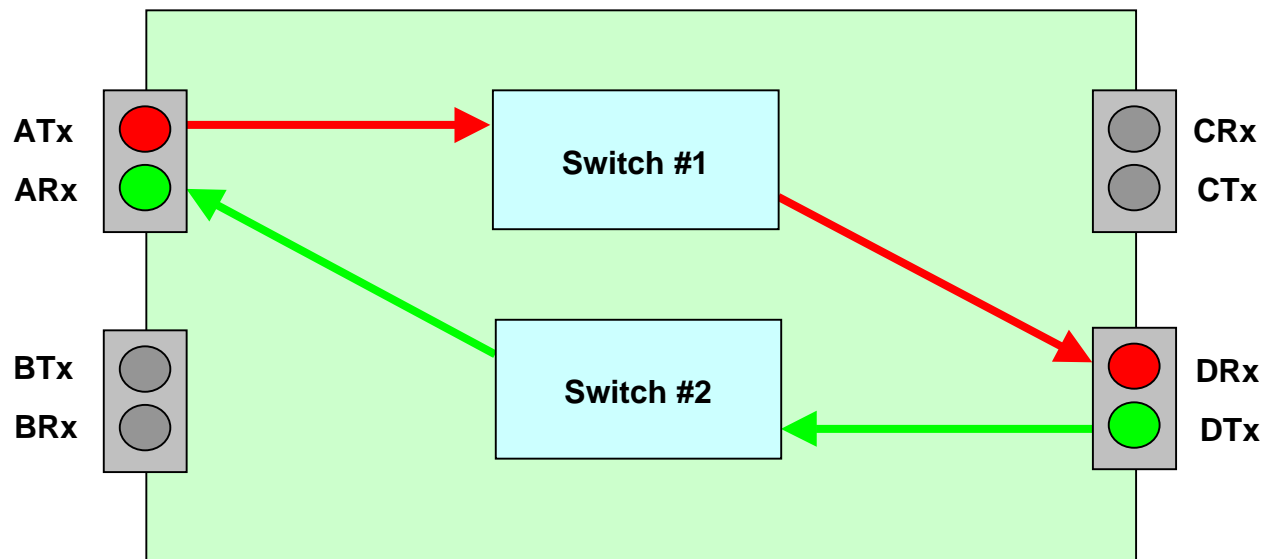
Back to State 1

LT1600 Opto-Patch Switch Chassis



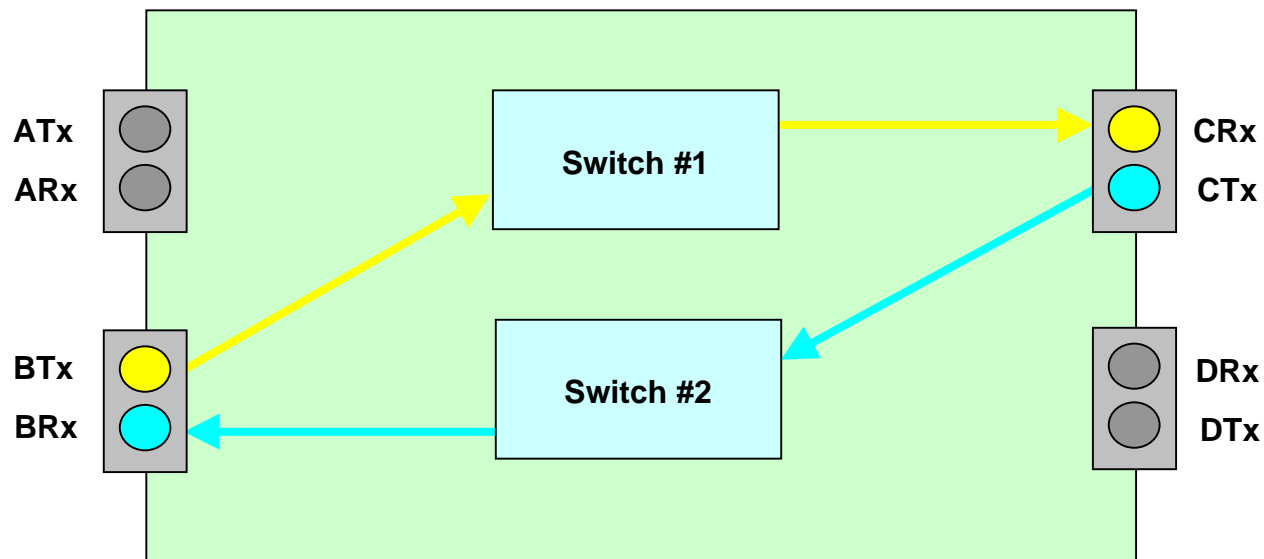
SWAP to State 2: A to D and B to C

LT1600 Opto-Patch Switch Chassis



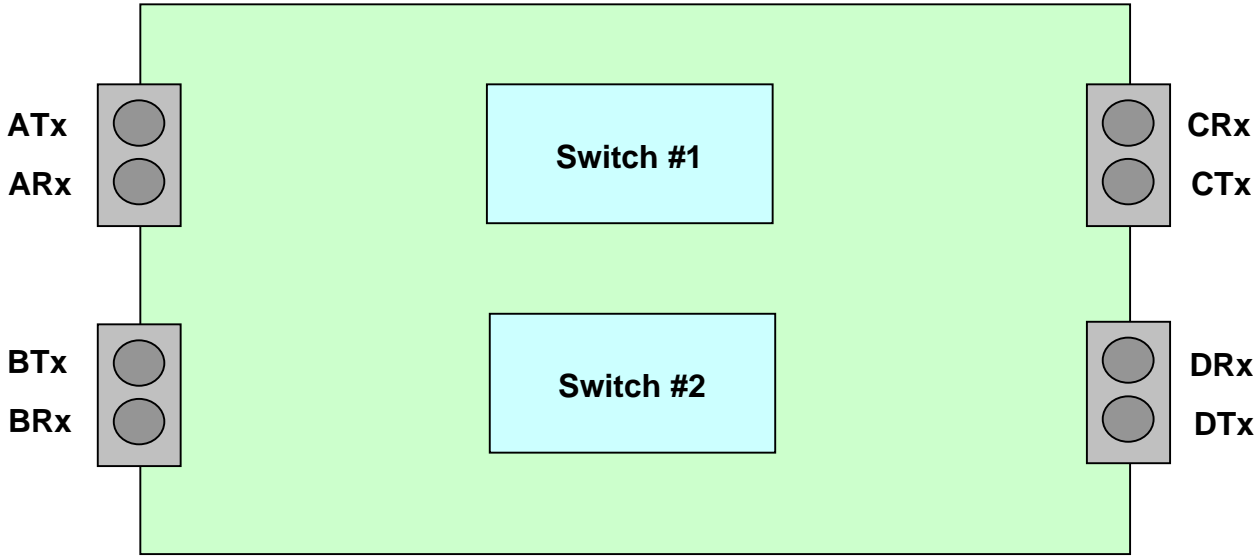
PULL Fibers: B and C

LT1600 Opto-Patch Switch Chassis



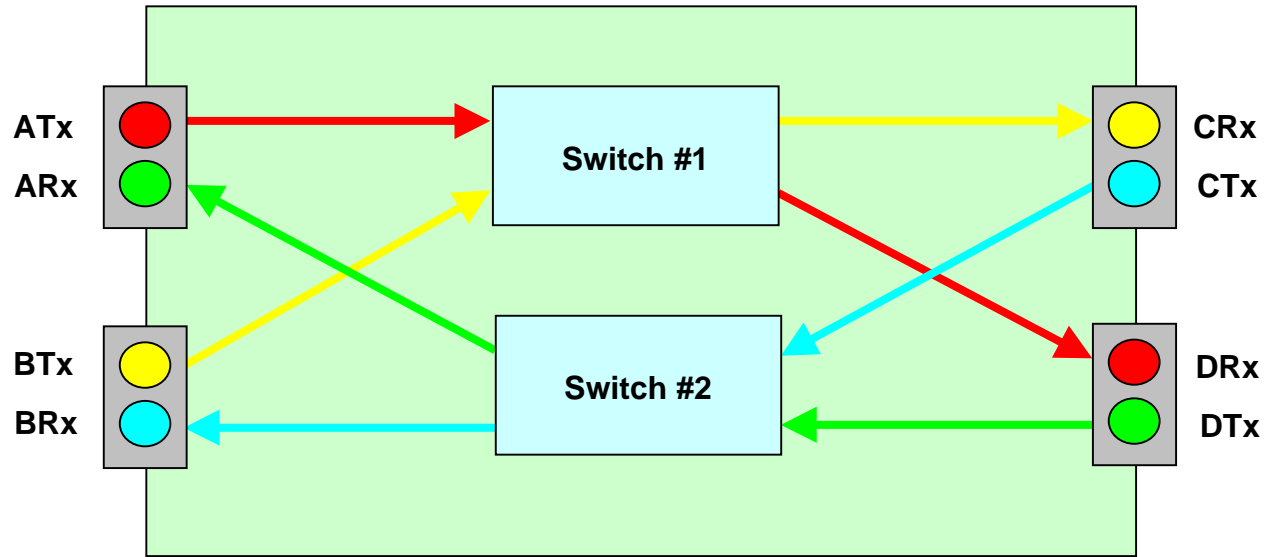
PULL Fibers: A and D

LT1600 Opto-Patch Switch Chassis



PULL Fibers: A, B, C and D

LT1600 Opto-Patch Switch Chassis



Back to State 2

